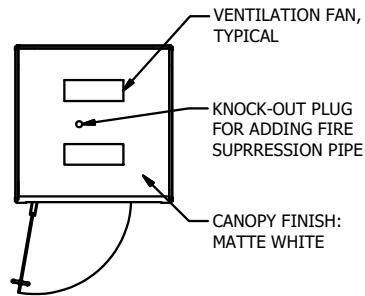
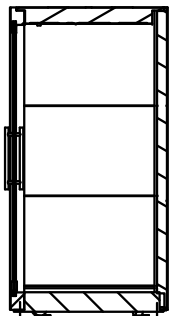


REFLECTED CEILING PLAN

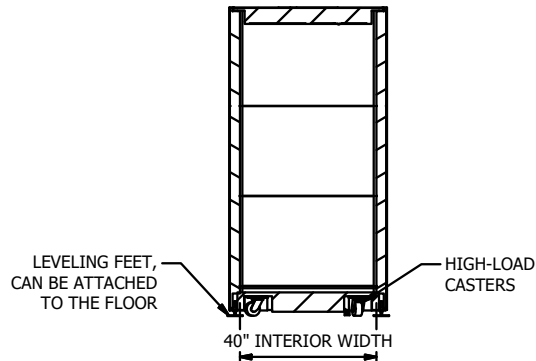


CANOPY PLAN

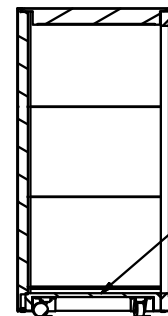
FINISH SELECTIONS		
	MATERIAL	COLOR, FINISH
UPPER INTERIOR PANELS	STANDARD LAMINATE	
LOWER INTERIOR PANELS	STANDARD LAMINATE	
EXTERIOR PANELS	STANDARD LAMINATE	



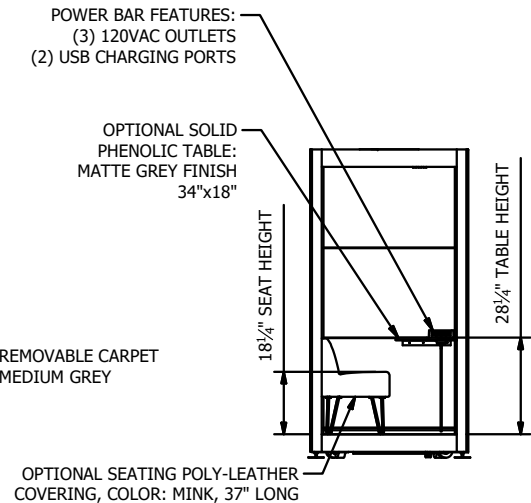
INTERIOR LEFT WALL



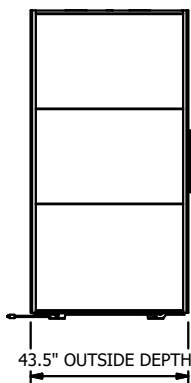
INTERIOR REAR WALL



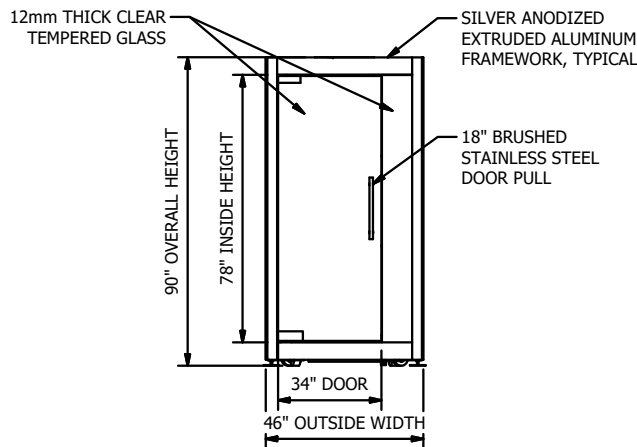
INTERIOR RIGHT WALL



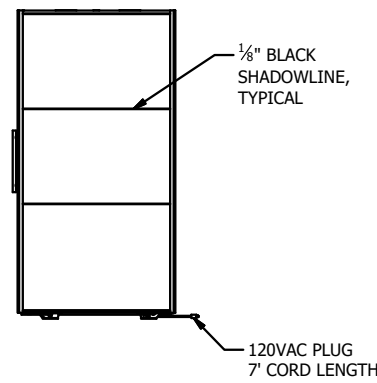
FURNITURE HEIGHTS



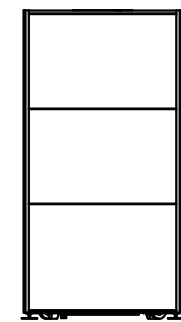
EXTERIOR LEFT WALL



EXTERIOR FRONT WALL



EXTERIOR RIGHT WALL



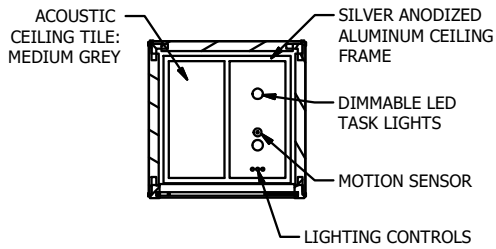
EXTERIOR REAR WALL



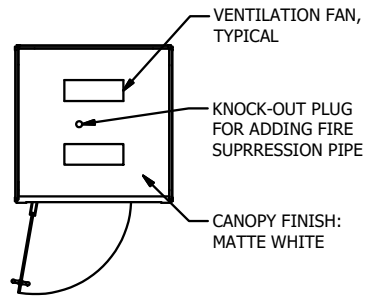
Headquarters & US Manufacturing
175 Titus Avenue
Warrington, PA 18976
888-766-7834

Canadian Manufacturing
70 Railway Street
Kingston, ON K7K2L8

Job Number:	Job Name:		Notes:
Pod Model: S	Table: Yes	Benches: Yes	
Drawn By: VML	Date: 10/02/18	Number of Pods:	
Revisions:		Not To Scale	
	Signature:		Date:

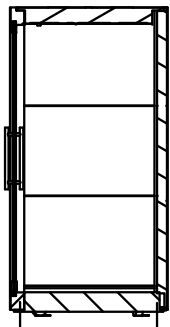


REFLECTED CEILING PLAN



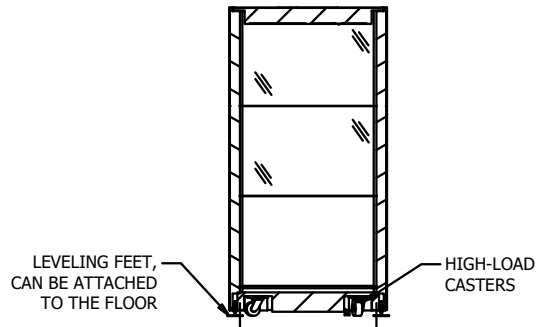
CANOPY PLAN

FINISH SELECTIONS		
	MATERIAL	COLOR, FINISH
UPPER INTERIOR PANELS	STANDARD LAMINATE	
LOWER INTERIOR PANELS	STANDARD LAMINATE	
UPPER REAR WALL INTERIOR PANELS	GORILLA GLASS	BRIGHT WHITE, GLOSS
EXTERIOR PANELS	STANDARD LAMINATE	



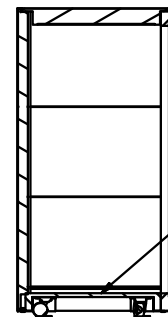
INTERIOR LEFT WALL

37.5" INTERIOR DEPTH



INTERIOR REAR WALL

40" INTERIOR WIDTH

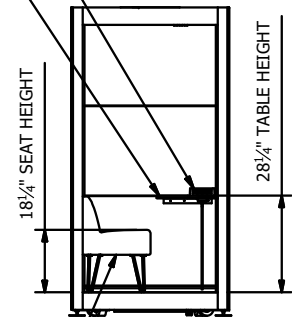


INTERIOR RIGHT WALL

REMOVABLE CARPET
MEDIUM GREY

POWER BAR FEATURES:
(3) 120VAC OUTLETS
(2) USB CHARGING PORTS

OPTIONAL SOLID PHENOLIC TABLE:
MATTE GREY FINISH
34"x18"

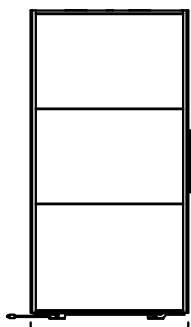


18 1/4" SEAT HEIGHT

28 1/4" TABLE HEIGHT

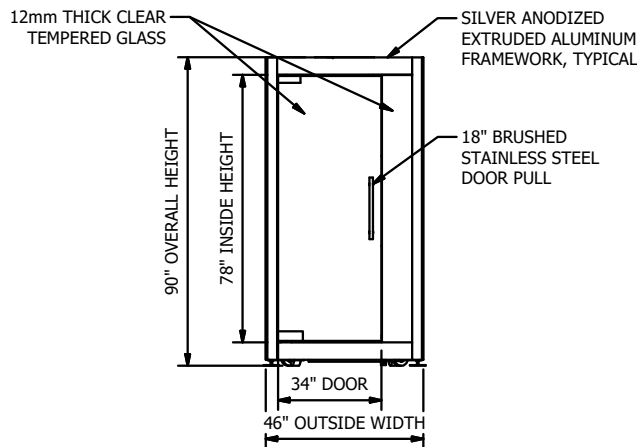
OPTIONAL SEATING POLY-LEATHER COVERING, COLOR: MINK, 37" LONG

FURNITURE HEIGHTS



EXTERIOR LEFT WALL

43.5" OUTSIDE DEPTH



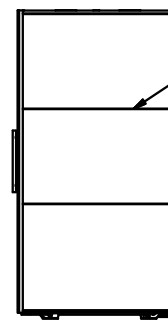
EXTERIOR FRONT WALL

90" OVERALL HEIGHT

78" INSIDE HEIGHT

34" DOOR

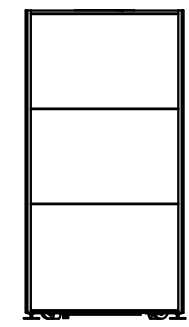
46" OUTSIDE WIDTH



EXTERIOR RIGHT WALL

1/8" BLACK SHADOWLINE, TYPICAL

120VAC PLUG
7' CORD LENGTH



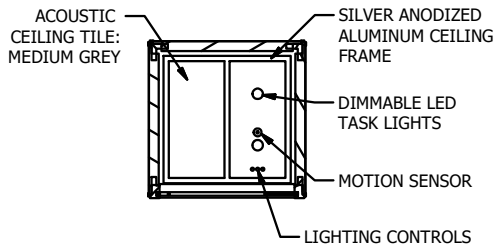
EXTERIOR REAR WALL



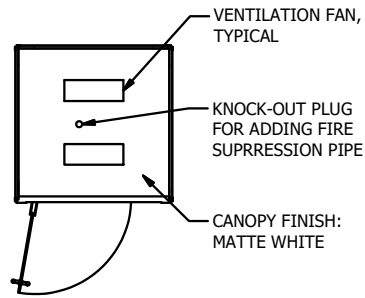
Headquarters & US Manufacturing
175 Titus Avenue
Warrington, PA 18976
888-766-7834

Canadian Manufacturing
70 Railway Street
Kingston, ON K7K2L8

Job Number:	Job Name:		Notes:
Pod Model: S	Table: Yes	Benches: Yes	
Drawn By: VML	Date: 10/02/18	Number of Pods:	
Revisions:		Not To Scale	
		Signature:	Date:

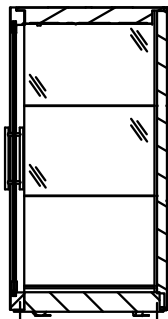


REFLECTED CEILING PLAN

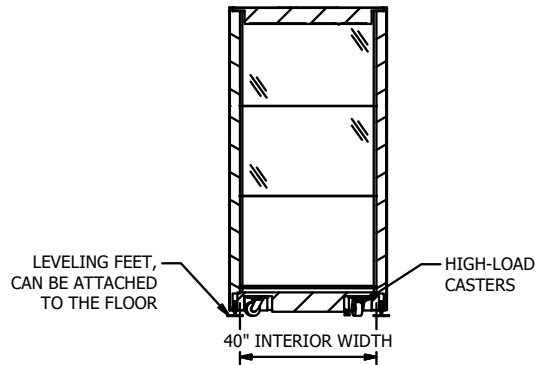


CANOPY PLAN

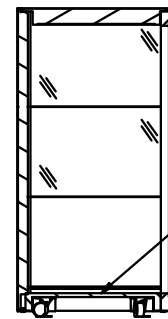
FINISH SELECTIONS		
	MATERIAL	COLOR, FINISH
UPPER INTERIOR PANELS	GORILLA GLASS	
LOWER INTERIOR PANELS	STANDARD LAMINATE	
EXTERIOR PANELS	STANDARD LAMINATE	



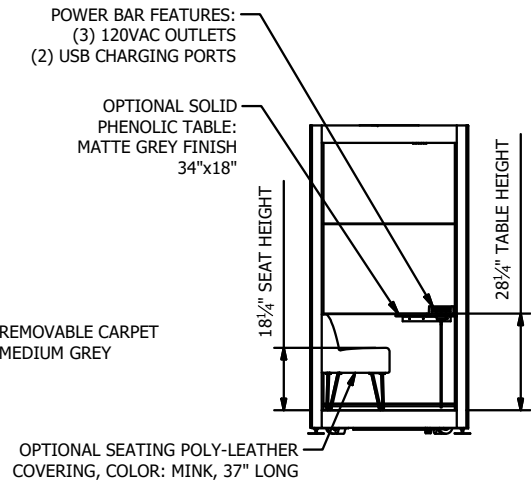
INTERIOR LEFT WALL



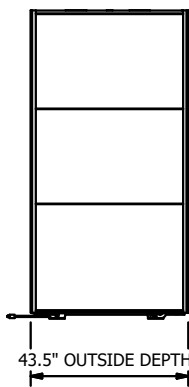
INTERIOR REAR WALL



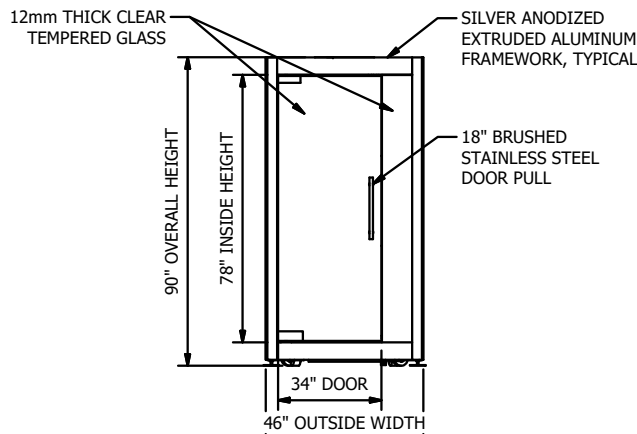
INTERIOR RIGHT WALL



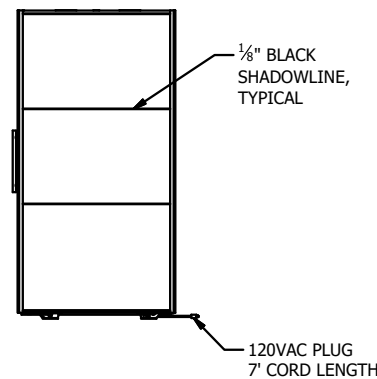
FURNITURE HEIGHTS



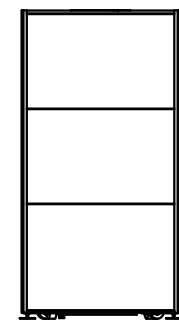
EXTERIOR LEFT WALL



EXTERIOR FRONT WALL



EXTERIOR RIGHT WALL



EXTERIOR REAR WALL



Headquarters & US Manufacturing
 175 Titus Avenue
 Warrington, PA 18976
 888-766-7834

Canadian Manufacturing
 70 Railway Street
 Kingston, ON K7K2L8

Job Number:	Job Name:		Notes:
Pod Model: S	Table: Yes	Benches: Yes	
Drawn By: VML	Date: 10/02/18	Number of Pods:	
Revisions:		Not To Scale	
	Signature:		Date: