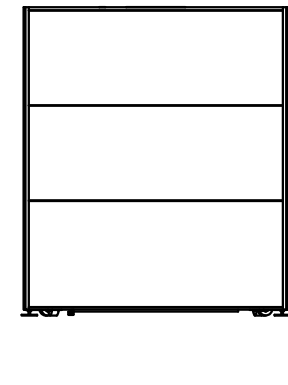
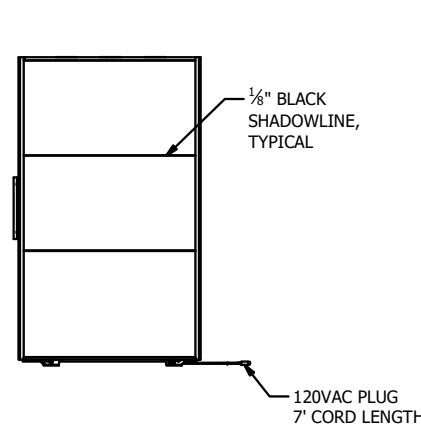
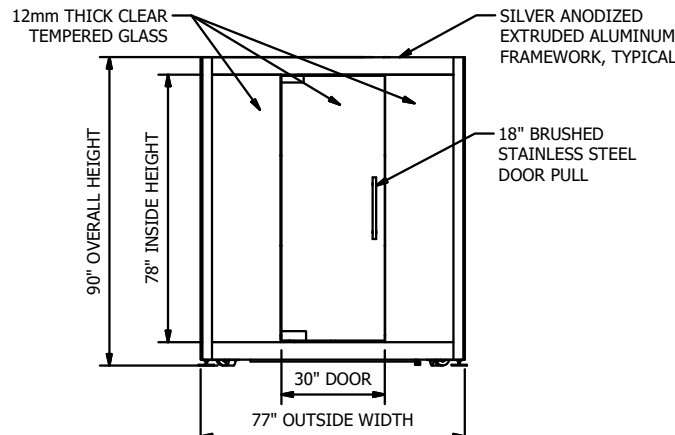
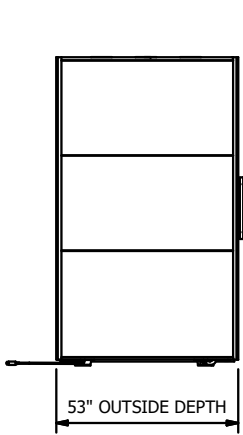
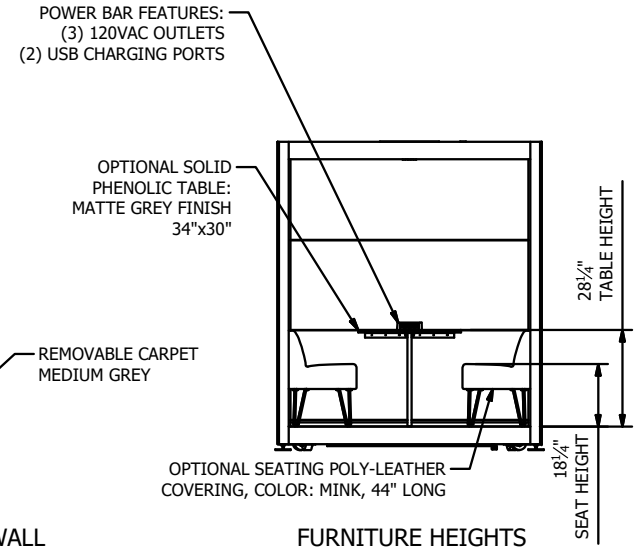
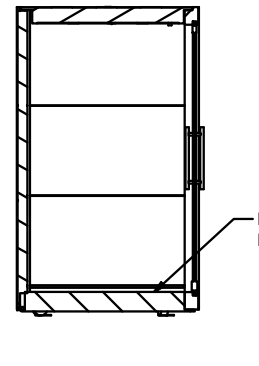
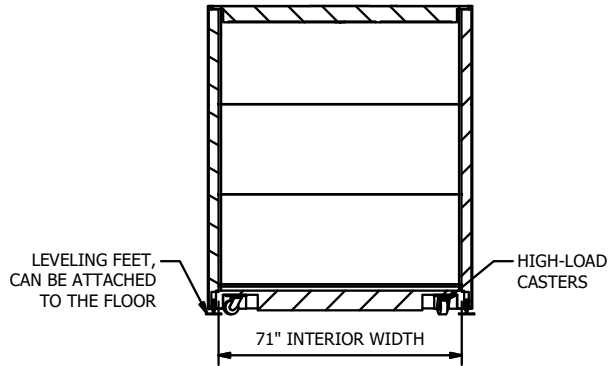
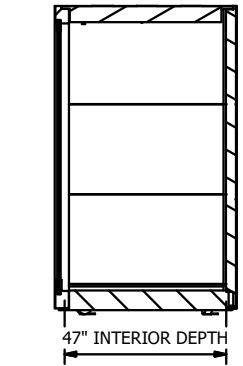


FINISH SELECTIONS		
	MATERIAL	COLOR, FINISH
UPPER INTERIOR PANELS	STANDARD LAMINATE	
LOWER INTERIOR PANELS	STANDARD LAMINATE	
EXTERIOR PANELS	STANDARD LAMINATE	

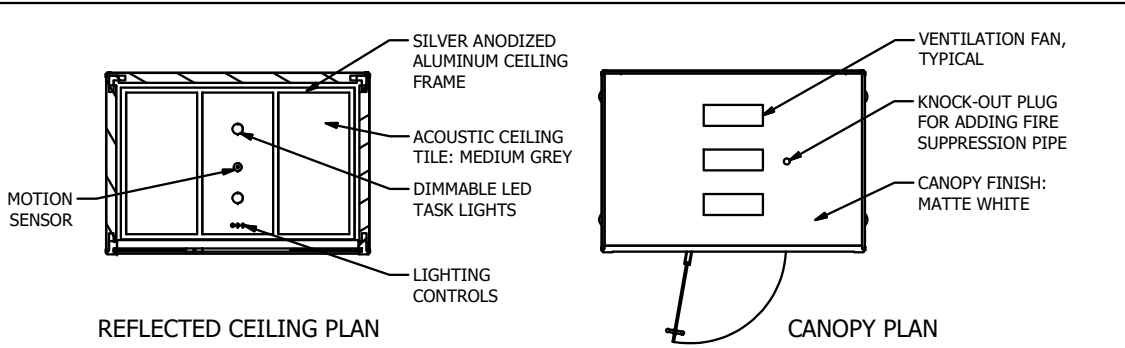


Headquarters & US Manufacturing
175 Titus Avenue
Warrington, PA 18976
888-766-7834

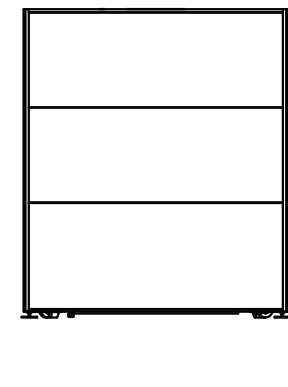
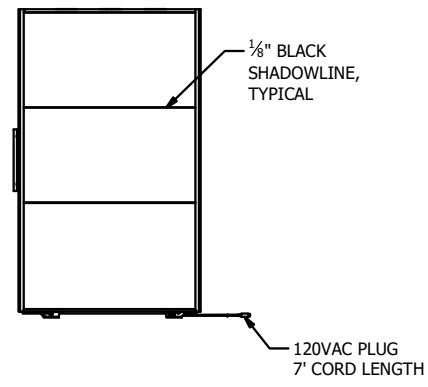
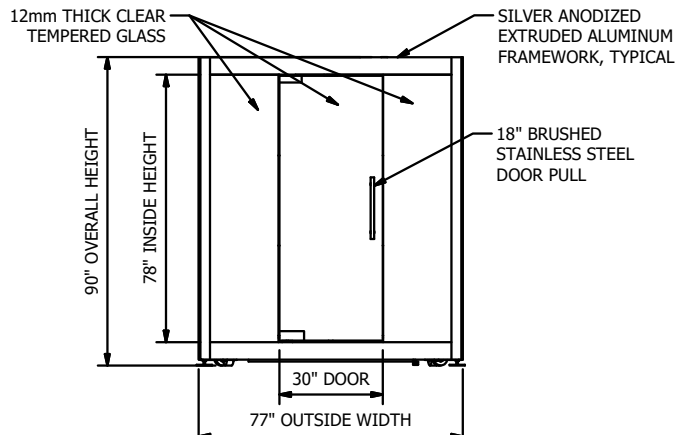
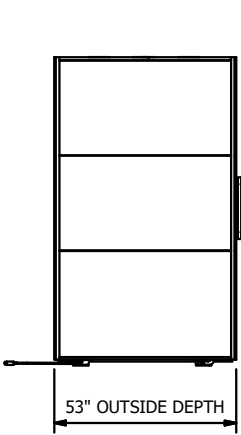
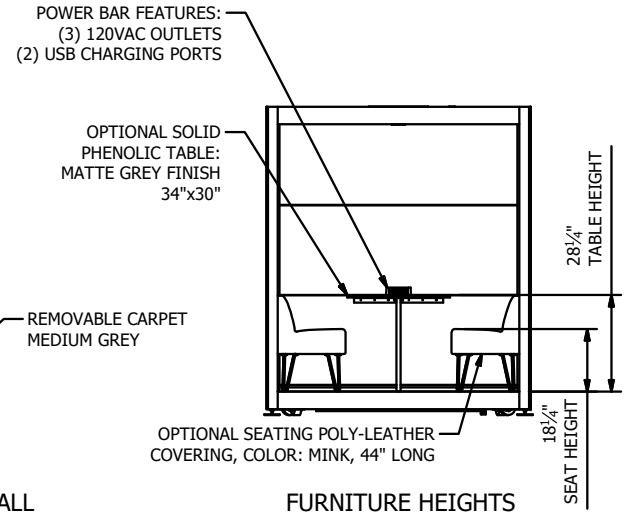
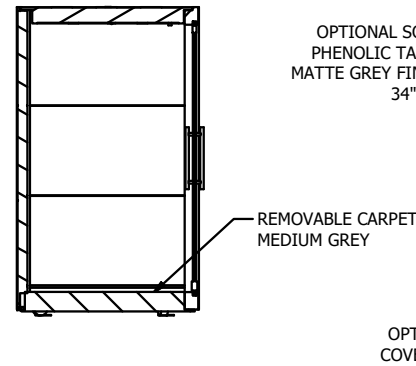
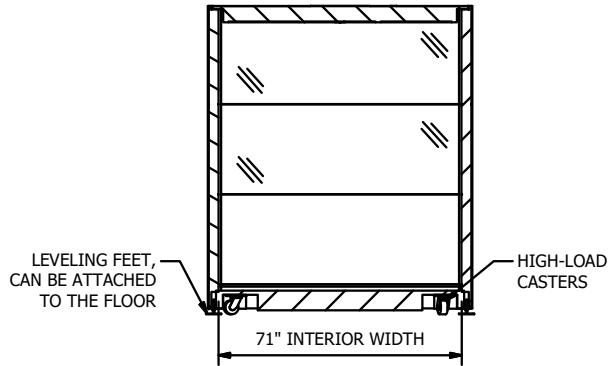
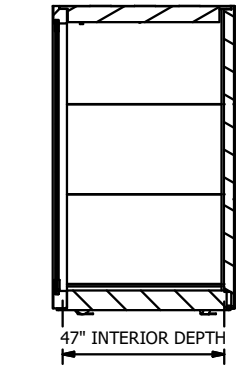
Canadian Manufacturing
70 Railway Street
Kingston, ON K7K2L8

Job Number:	Job Name:		Notes:
Pod Model: M	Table: Yes	Benches: Yes	
Drawn By: VML	Date: 10/02/18	Number of Pods:	
Revisions:		Not To Scale	
		Signature:	

Date:



FINISH SELECTIONS		
	MATERIAL	COLOR, FINISH
UPPER INTERIOR PANELS	STANDARD LAMINATE	
LOWER INTERIOR PANELS	STANDARD LAMINATE	
UPPER REAR WALL INTERIOR PANELS	GORILLA GLASS	BRIGHT WHITE, GLOSS
EXTERIOR PANELS	STANDARD LAMINATE	



Headquarters & US Manufacturing
175 Titus Avenue
Warrington, PA 18976
888-766-7834

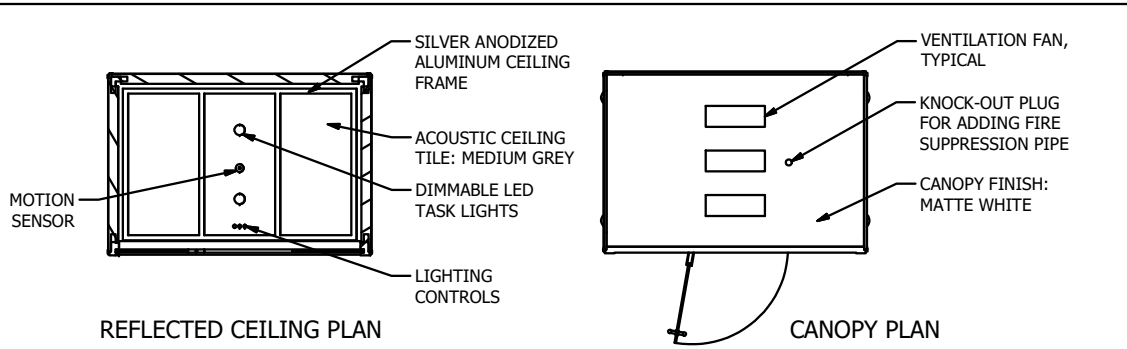
Canadian Manufacturing
70 Railway Street
Kingston, ON K7K2L8

Job Number:	Job Name:		Notes:
Pod Model: M	Table: Yes	Benches: Yes	
Drawn By: VML	Date: 10/02/18	Number of Pods:	
Revisions:	Signature:		
	Date:		

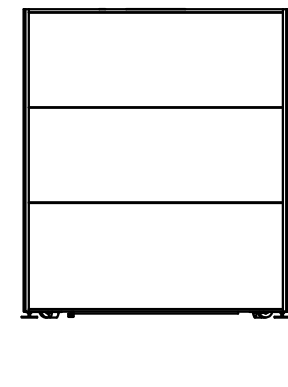
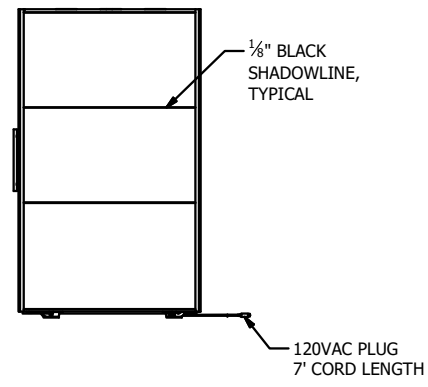
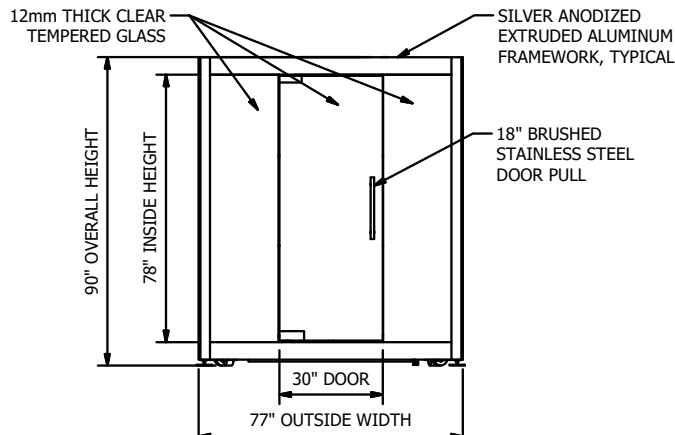
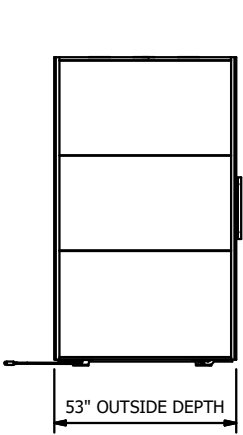
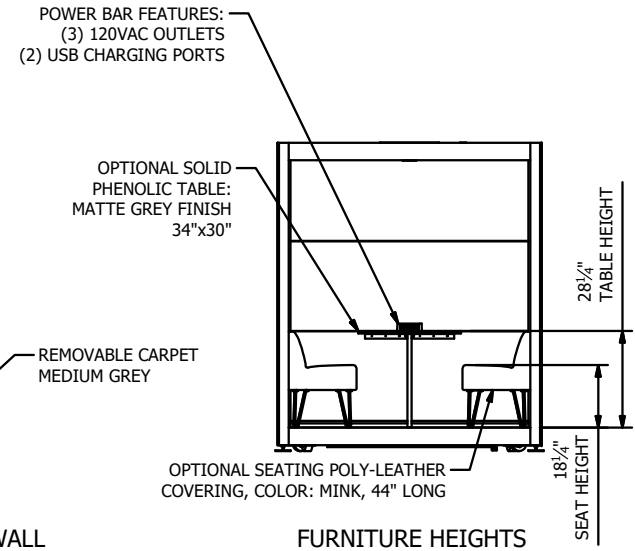
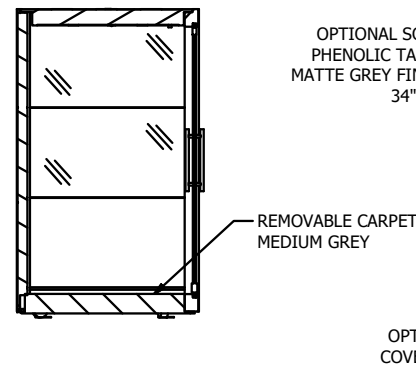
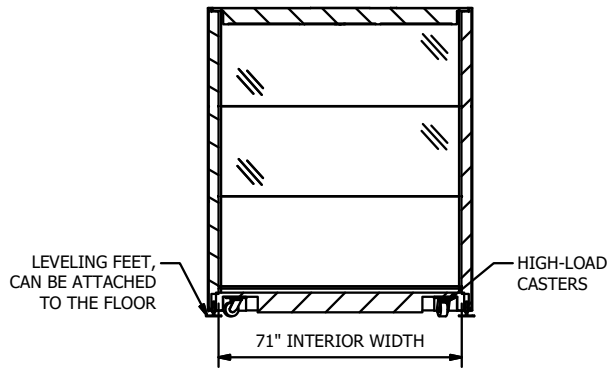
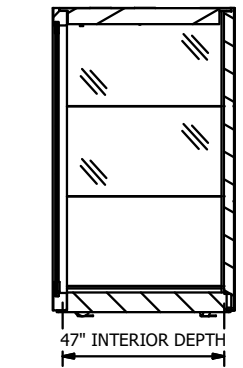
Notes:

Signature:

Date:



FINISH SELECTIONS		
	MATERIAL	COLOR, FINISH
UPPER INTERIOR PANELS	GORILLA GLASS	
LOWER INTERIOR PANELS	STANDARD LAMINATE	
EXTERIOR PANELS	STANDARD LAMINATE	



Headquarters & US Manufacturing
175 Titus Avenue
Warrington, PA 18976
888-766-7834

Canadian Manufacturing
70 Railway Street
Kingston, ON K7K2L8

Job Number:	Job Name:		Notes:
Pod Model: M	Table: Yes	Benches: Yes	
Drawn By: VML	Date: 10/02/18	Number of Pods:	
Revisions:	Signature:		
	Date:		